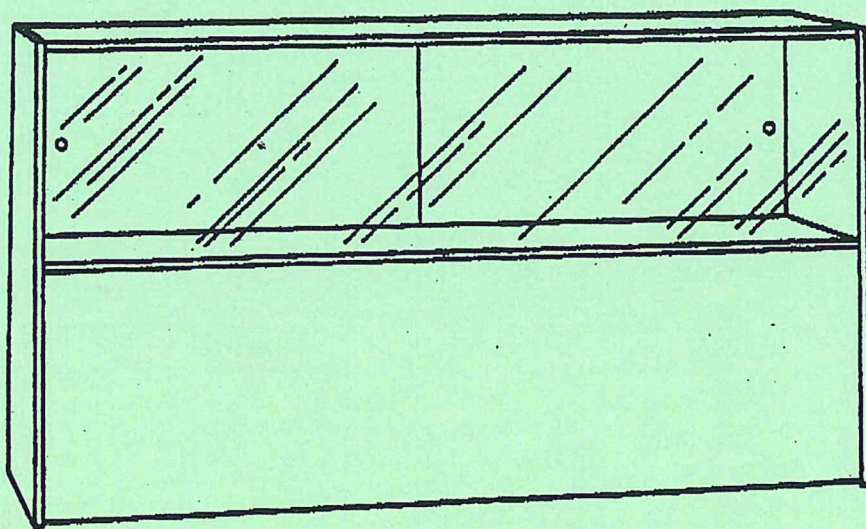


ASSEMBLY INSTRUCTIONS

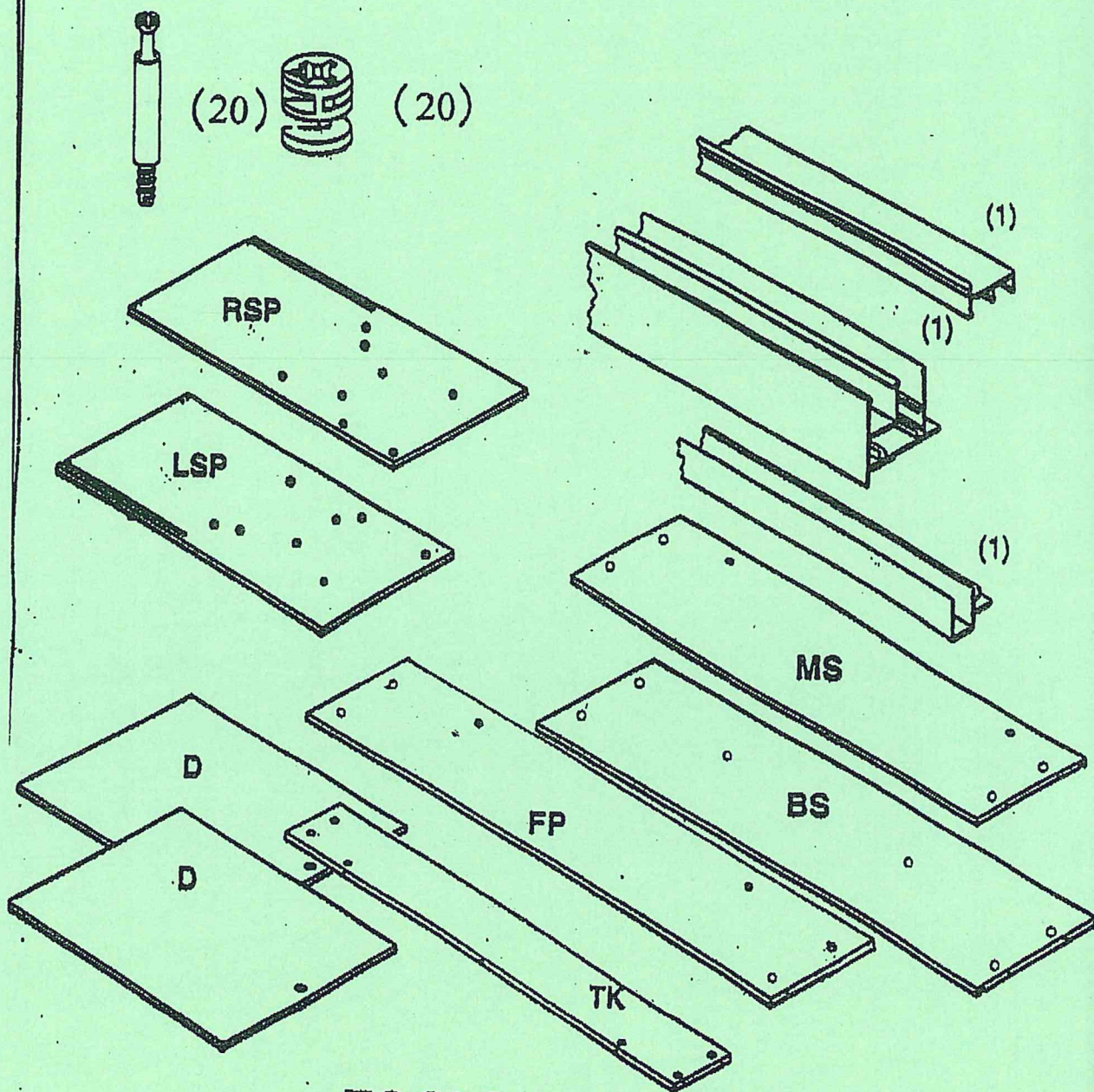
HALF VISION SHOWCASE JEWELRY SHOWCASE



NOTE: It is recommended that two persons assemble this unit.

PARTS LIST

PARTS & QUANTITIES SHOWN ARE FOR ONE COMPLETE SHOWCASE UNIT. GLASS PANELS, FELT STRIP AND PLASTIC GASKET NOT FURNISHED WITH THIS KIT.

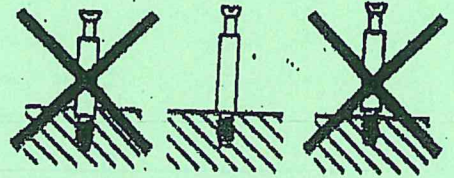
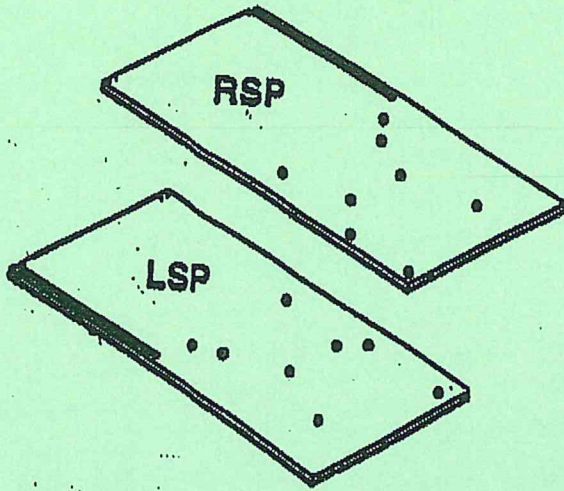


TOOLS REQUIRED

1



(16)



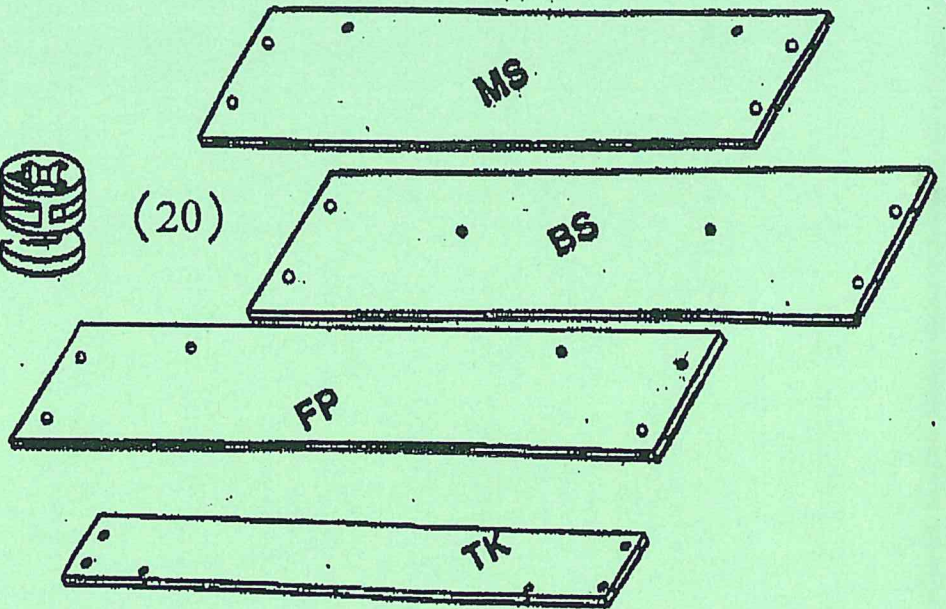
2



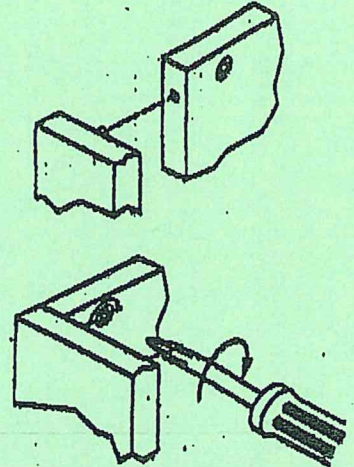
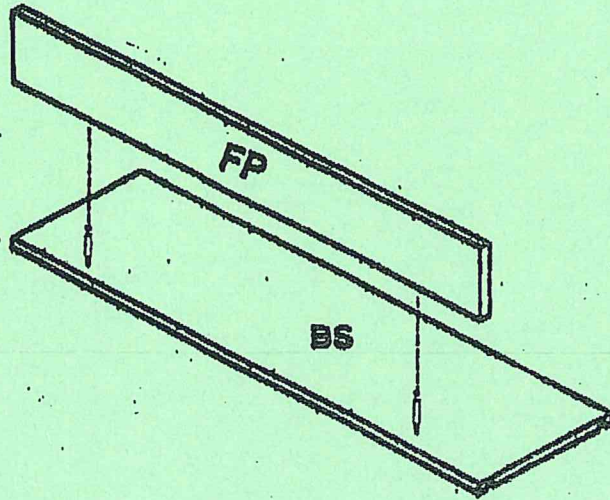
(4)



(20)

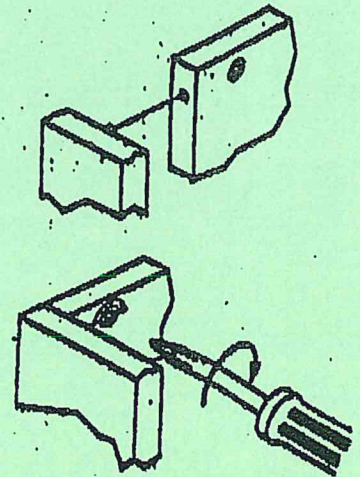
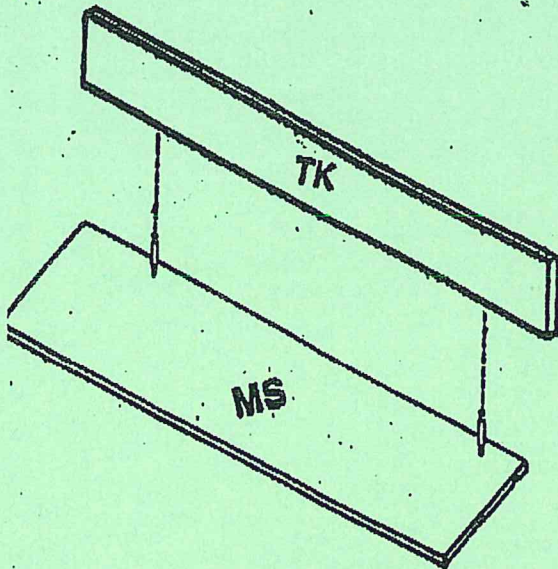


3



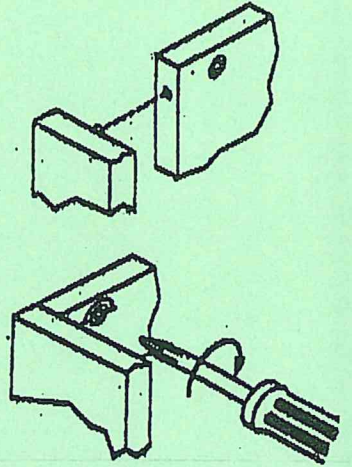
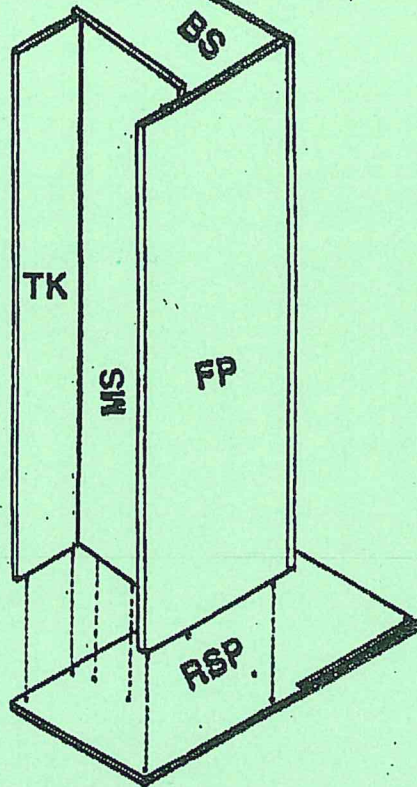
Fasten panels together and
make sure all cams are locked.

4



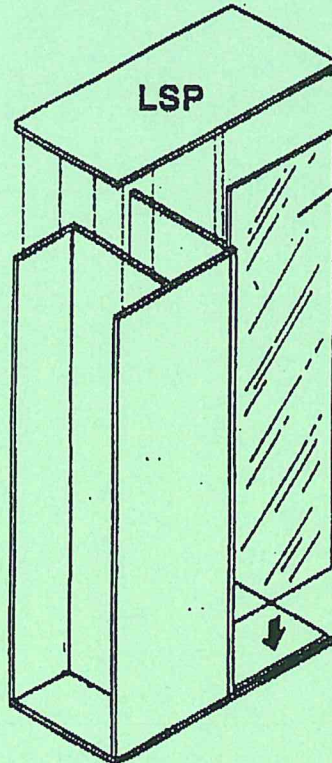
Fasten panels together and
make sure all cams are locked.

5

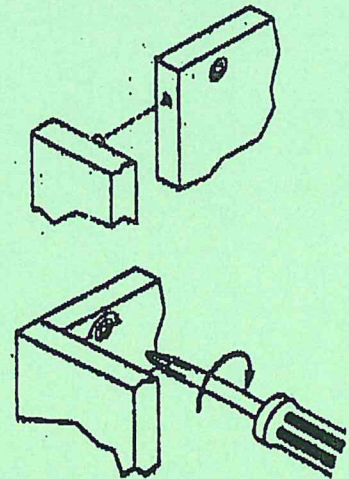


Fasten panels together and make sure all cams are locked.

6

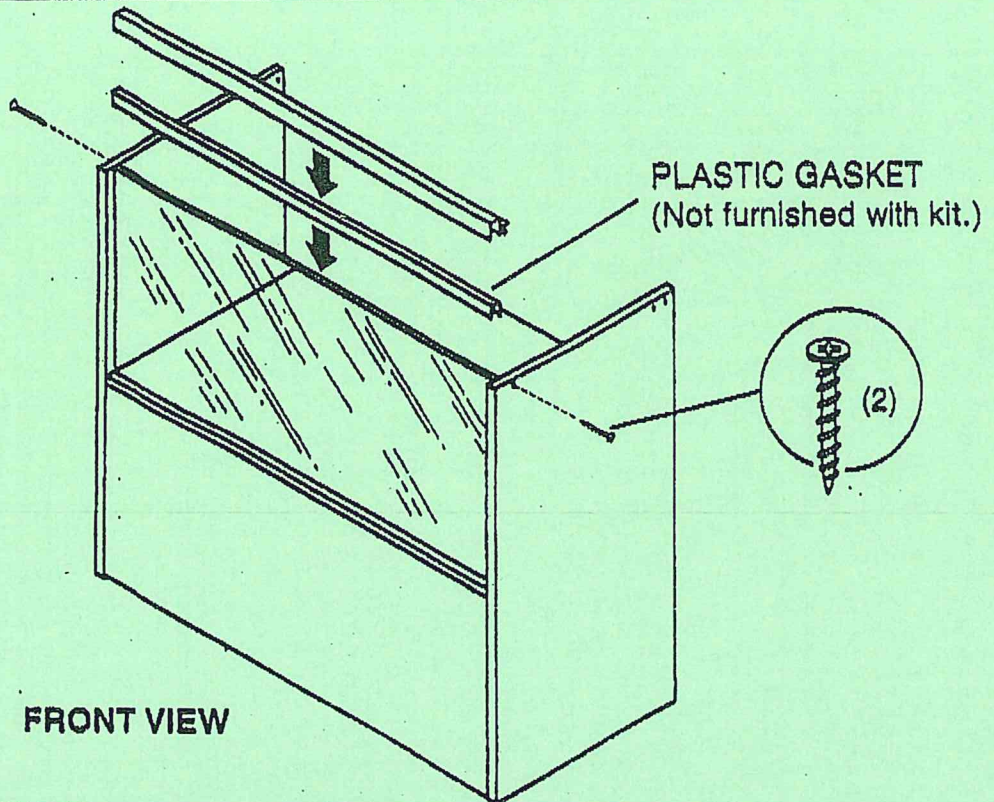


FRONT GLASS PANEL
(Not furnished with klt.)



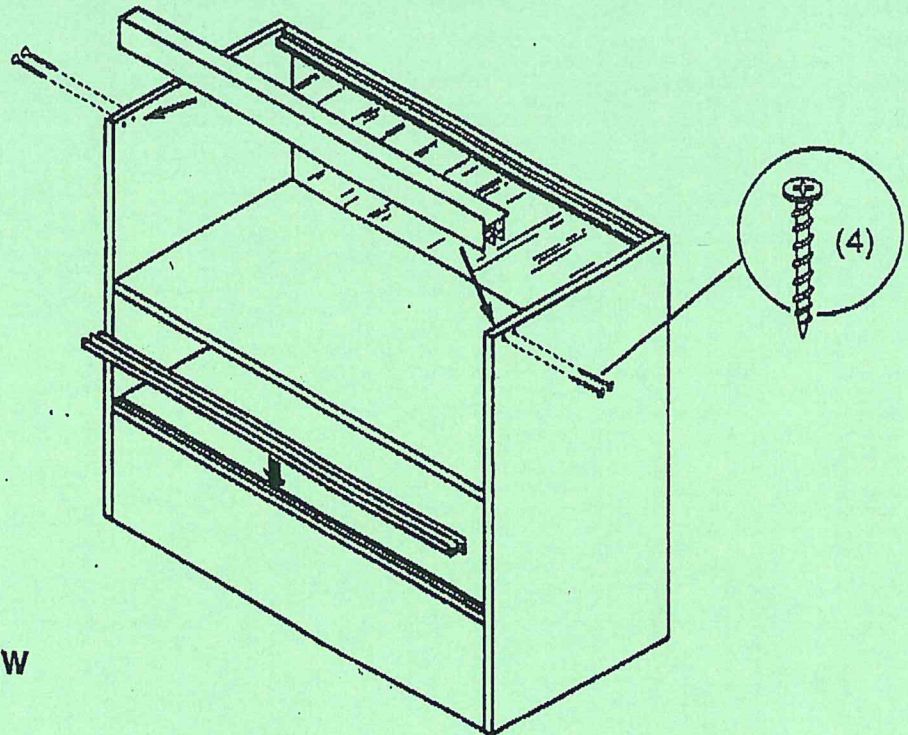
Fasten panels together and make sure all cams are locked.

7



FRONT VIEW

8



BACK VIEW

9

